



NEW HOLLAND

W170B W170B TC W170B LR W190B W190B LR WHEEL LOADERS



- New Tier III Certified Engine with Four Work Modes
- Advanced Cooling System for Better Cooling & Balance
- Three Configurations — Z-Bar, Tool Carrier, & Long Reach
- Roomy, Comfortable Cab With Outstanding Visibility



BUILT AROUND YOU

MAXIMUM UPTIME, MAXIMUM PRODUCTIVITY

New Holland wheel loaders are designed to work hard, moving more material per hour to increase your overall productivity. With superior operator comfort and easy maintenance, New Holland wheel loaders make the very most of every hour in the work day.

Efficient hydraulics

- Closed-center, load-sensing hydraulic system delivers fast cycle times and maximum breakout force on demand
- Matches hydraulic output to load requirements for maximum efficiency

Tier III engine with multiple work modes

Four different work modes allow the operator to select a power mode to match machine performance to the specific job to maximize productivity and fuel efficiency.

- Maximum power – performance for extreme conditions
- Standard power – normal loading conditions
- Economy power – lift and carry applications
- Automatic power – automatically matches the power curve to the application

Best-in-class cab

- Spacious, uncluttered design
- Comfortable seating and low-effort controls
- Outstanding visibility with nearly 50 square feet of seamless glass

Time-saving maintenance

- Reach all daily check points from ground level
- Swing-open, lockable service panels provide quick access to major engine components

W170B Tool Carrier Model

- Extra-fast attachment changes – ideal for multiple applications
- Accurate self leveling for increased productivity when using a pallet fork
- Greater breakout force, reach and visibility

Wide range of attachments for multiple applications:

- General-Purpose Buckets
- Light Materials Buckets
- Multi-Purpose Buckets
- Rock Buckets
- Penetration Buckets
- Pallet Forks



Incredible breakout force allows New Holland wheel loaders to dig into heavy, packed materials.



Standard limited slip axles deliver greater traction while the long wheelbase and short turn radius allow for extra-smooth maneuvering.



Increase your New Holland wheel loader's versatility by mounting attachments on this new coupler. Not only does this beefy coupler provide a superior line of sight for great visibility, it's also compatible with the complete line of JRB wheel loader attachments.



New Holland B Series
Wheel Loaders are US EPA Tier III
certified for low emissions.



	W170B	W170B TC	W170B LR	W190B	W190B LR
Gross horsepower, hp (kW)	195 (145) @ 2000 rpm	195 (145) @ 2000 rpm	195 (145) @ 2000 rpm	227 (169) @ 2000 rpm	227 (169) @ 2000 rpm
Net horsepower, hp (kW)	183 (137) @ 2000 rpm	183 (137) @ 2000 rpm	183 (137) @ 2000 rpm	213 (159) @ 2000 rpm	213 (159) @ 2000 rpm
Peak Torque, gross, lb-ft (N-m)	636 (862) @ 1400 rpm	636 (862) @ 1400 rpm	636 (862) @ 1400 rpm	739 (1002) @ 1400 rpm	739 (1002) @ 1400 rpm
Peak Torque, net, lb-ft (N-m)	605 (821) @ 1400 rpm	605 (821) @ 1400 rpm	605 (821) @ 1400 rpm	712 (966) @ 1400 rpm	712 (966) @ 1400 rpm
Fuel tank capacity, gal (l)	66.9 (253)	66.9 (253)	66.9 (253)	76 (288)	76 (288)



	W170B	W170B TC	W170B LR	W190B	W190B LR
Standard SAE heaped bucket capacity, yd ³ (m ³)	3.0 (2.3)	3.0 (2.3)	3.0 (2.3)	3.44 (2.63)	3.44 (2.63)
Breakout force, lbs (kg)	32,961 (14,951)	32,961 (14,951)	32,961 (14,951)	40,737 (18,478)	41,369 (18,765)
Tipping load, straight w/bucket, lbs (kg)	27,149 (12,315)	27,149 (12,315)	27,149 (12,315)	32,083 (14,553)	25,486 (11,560)
Tipping load, straight w/coupler and 48" utility forks	24,724 (11,215)	24,724 (11,215)	20,763 (9418)	29,154 (13,244)	23,120 (10,487)
Tipping load, 40-degree full turn w/bucket, lbs (kg)	23,556 (10,685)	23,556 (10,685)	23,556 (10,685)	27,769 (12,596)	21,868 (9919)
Tipping load, 40-degree full turn, w/coupler and 48" utility forks	21,336 (9678)	21,336 (9678)	17,786 (8068)	25,091 (11,381)	19,686 (8929)
Hydraulic lifting capacity at ground level, lbs (kg)	29,108 (13,203)	29,108 (13,203)	29,108 (13,203)	35,563 (16,131)	27,081 (12,284)
Reach, 45" dump angle, full height, in (mm)	42.7 (1086)	42.7 (1086)	42.7 (1086)	38.8 (985)	43.2 (1097)

FAST-ACTING, LOAD SENSING HYDRAULICS

Speed and efficiency are built into the hydraulic design of every New Holland wheel loader.

On-demand hydraulic power

- Closed-center, pressure-compensating hydraulic system matches hydraulic output to exact load requirements
- System efficiency results in improved fuel economy, reduced heat generation and increased power to the ground when hydraulics aren't being used
- Dual Rexroth variable-displacement axial piston pumps provide flow and pressure on demand for loader functions
- A steering priority valve assures consistent hydraulic flow for steering

Advantages of Z-bar linkage

- Faster loader cycle time
- Greater tipping load
- Shorter overall length
- Greater visibility to bucket

Advantages of W170B TC parallel lift (Tool Carrier)

- Increased breakout force - 2 cylinders vs. 1
- Greater dump reach - longer loader arms
- Higher hinge pin height
- Less attachment deviation throughout the lift cycle
- Accurate self-leveling allows for easy, smooth pallet fork maneuvering
- Greater visibility to pallet forks



Load Travel Stabilizer

The optional load travel stabilizer (LTS) absorbs shocks and smoothes the ride on rough terrain, for faster travel speeds, and better material retention.

Easy-load buckets

- Knife-like cutting edges penetrate easily into the pile
- High hinge pin position provides better crowding action
- Curved bucket floor for fast, easy filling
- Tapered skid plates on the bucket underside reduce ground drag

New Holland Z-linkage loader design delivers outstanding breakout force.



DURABLE DESIGN AND RELIABLE POWER

Tight deadlines, heavy loads, rough terrain, brutal temperatures, or all of the above – A New Holland wheel loader will match your demands.

More power to the ground

- Engine torque response provides extra power when needed
- Direct fuel injection assures outstanding fuel efficiency

Advanced cooling system design

- Virtually eliminates debris buildup and assures flow of clean, cool air to all cooling components
- A hydraulically driven fan with optional purge feature reduces build up of debris
- Lower component operating temperatures decrease operating costs by reducing fluid breakdown and extending component life
- Mid-mounted cooling system and optimal engine placement

Heavy-duty outboard planetary reduction final drives

- Develop torque at the wheel instead of along the axle
- Reduced axle shaft stress
- Allows independent servicing of one side of the axle shaft

Better traction and control

- Maintenance-free outboard wet disc brakes on all wheels
- Rugged, limited slip differentials keep you moving in the worst conditions by transferring power from the slipping wheel to the wheels with the best traction
- Rear axle oscillates up to 24 degrees for added confidence when working on rough, uneven ground
- Reduced tire spin extends tire life

Reliable articulation joint

- Heavy-duty top and bottom plates
- Double-tapered roller bearings
- High-mount steering cylinders
- Clean hose routing between the front and rear frames



Time-saving servicing

- Sight gauges for transmission and hydraulic fluid levels
- Central environmental fluid drain bank
- 500-hour engine oil change interval
- Maintenance-free driveshaft u-joints
- Extended lubrication intervals for loader linkage pins (50 hours) and articulation joint bearings (1000 hours)



Powerful Tier III engine provides increased torque for more lugging and lifting ability.



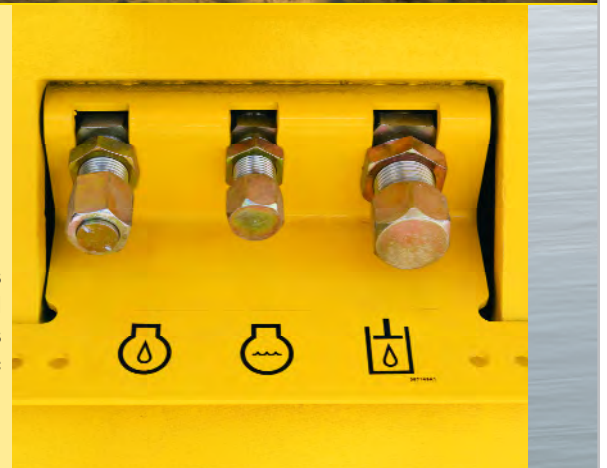
Better balance means better performance

New Holland's main frame design incorporates smart weight distribution and convenient service access. The engine, transmission and cooling system are strategically located for optimum weight distribution. A better balanced machine improves lifting performance and provides a better weight-to-horsepower ratio



You can reach all daily check points from ground level, and can easily reach major engine components through lockable, swing-open service doors.

Environmental fluid drains for engine oil, coolant and hydraulic oil, as well as hydraulic diagnostic quick couplers save you valuable time.



Analog instrument gauges are easy to see and read. Engine diagnostics provide warning with a three-level warning light system.

Forward/reverse switch means faster cycle times.



Flat glass provides an unobstructed view to the bucket and the worksite.



COMFORT AND CONVENIENCE EQUAL PRODUCTIVITY

A comfortable operator is more productive. That's why New Holland engineers invest extra time and effort in designing the optimum operator environment.

Outstanding visibility

- Expansive flat glass area provides excellent overall visibility
- No front corner posts to obstruct your view to the front bucket, and the low rear hood and frame design provide better visibility to the rear
- Front and rear washer/wipers and sun curtains are standard

Convenient, automatic shifting

- State-of-the-art 4x3 powershift transmission features a convenient forward/reverse shuttle lever mounted to the left-hand side of the steering wheel
- Simply press a button to switch between manual, and automatic operating modes
 - Automatic mode* does the shifting for you.
 - In manual mode*, simply twist the shuttle lever to shift between gears.

Fingertip loader control

- Choose standard pilot-operated joystick or optional 2-lever or 3-lever fingertip controls – all with fast-cycle forward/reverse switch.

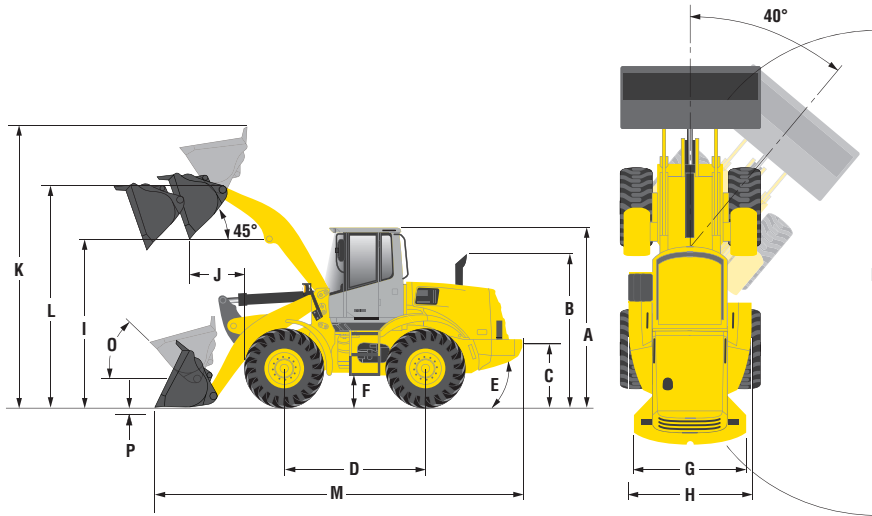
Uncluttered, comfortable cab

- Wide doors for easy entry and exit
- Quiet, roomy interior dimensions
- Seat and tilting steering column adjust to the perfect position
- Cabs are tightly sealed, heavily insulated and isolation-mounted using maintenance-free oil-filled dampeners to keep out dust, dirt, noise and vibration
- A deep, wide, air-ride seat with foldable armrests is optional

Visit your New Holland construction equipment dealer to learn more about New Holland wheel loaders.

W170B Specifications

DIMENSIONS



A. Height to top of cab, in. (mm)	133.9 (3402)
B. Height to top of exhaust, in. (mm)	113.5 (2884)
C. Height to drawbar, in. (mm)	44.3 (1124)
D. Wheelbase, in. (mm)	128.1 (3253)
E. Rear departure angle	32°
Turning radius-outside of tires, in. (mm)	226.4 (5750)
F. Ground clearance, in. (mm)	18.7 (476)
G. Tread width, in. (mm)	79.9 (2030)
H. Width over tires, in. (mm)	100.9 (2562)

ENGINE

Make & model	FPT 667TA/EB3 EPA Tier III Certified
Cylinders	6
Displacement, cu in (l)	411 (6.7)
Bore X stroke, in (mm)	4.09 (104) x 5.20 (132)
Power	
Standard	
Rated gross (per SAE J1995), hp (kW)	181 (135) @ 2000 rpm
Peak gross (per SAE J1995), hp (kW)	182 (136) @ 1900 rpm
Rated net (per SAE J1349), hp (kW)	169 (126) @ 2000 rpm
Peak net (per SAE J1349), hp (kW)	172 (128) @ 1800 rpm
Boosted power	
Rated/peak gross (per SAE J1995), hp (kW)	195 (145) @ 2000 rpm
Rated/peak net (per SAE J1349), hp (kW)	183 (137) @ 2000 rpm
Economy	
Rated gross (per SAE J1995), hp (kW)	136 (101) @ 2000 rpm
Peak gross (per SAE J1995), hp (kW)	157 (117) @ 1500 rpm
Rated net (per SAE J1349), hp (kW)	124 (93) @ 2000 rpm
Peak net (per SAE J1349), hp (kW)	149 (111) @ 1500 rpm

Torque, Max.

Standard	
Gross (per SAE J1995), lb-ft (N-m)	625 (847) @ 1400 RPM
Net (per SAE J1349), lb-ft (N-m)	596 (809) @ 1300 RPM
Boosted	
Gross (per SAE J1995), lb-ft (N-m)	636 (862) @ 1400 RPM
Net (per SAE J1349), lb-ft (N-m)	605 (821) @ 1400 RPM
Economy	
Gross (per SAE J1995), lb-ft (N-m)	614 (832) @ 1200 RPM
Net (per SAE J1349), lb-ft (N-m)	590 (800) @ 1200 RPM
Torque rise	25%
Fuel injection	Electronic, common rail injection, diesel
Fuel filter	Full-flow spin-on cartridge
Lube system	Full-flow spin-on cartridge w/ integral cooler
Aspiration	Turbocharged, air to air cooled
Air cleaner	Dry type elements w/ warning restriction indicator
Advanced cooling system	Independent mounted coolers, mid-mounted
Fan, in (mm)	Hydraulically driven suction fan, 28 (711) diameter, purge feature optional
Radiator	5 rows, 9 fins/in.

TRANSMISSION

Type	Countershaft, power shift	
Torque Converter	Single-phase, single stage, 2.81:1 stall ratio	
Shift Control System	Electronic control module, torque sensing, manual or automatic shifting	
Control Location	Steering column-mounted twist-grip shift lever, auxiliary controls on loader joystick	
Travel speeds w/ 20.5 X 25 L3 tires		
	Forward	Reverse
Gear 1, mph (km/h)	4.7 (7.6)	5.0 (8.0)
Gear 2, mph (km/h)	8.3 (13.4)	8.7 (14.0)
Gear 3, mph (km/h)	15.3 (24.6)	16.0 (25.8)
Gear 4, mph (km/h)	23.5 (37.8)	

AXLES/BRAKES

Differentials	Limited slip, front and rear
Final Drives	Heavy-duty outboard planetary reduction
Rear axle oscillation, in (mm)	24 degrees total, 35.4 (899) maximum vertical travel at wheel
Brakes	
Service Brakes	Outboard, hydraulically actuated, maintenance-free, multiple wet disc with accumulator, acting on all four wheels. Complies with ISO 3450
Parking Brake	Spring applied, hydraulically released, acting on transmission output shaft

SERVICE CAPACITIES

Fuel tank, gal (l)	66.9 (253)
Engine oil, qt (l)	14 (13.25)
Engine oil / filter, qt (l)	16 (15.1)
Transmission w/ filter, gal (l)	6.75 (25.6)
Cooling system, qt (l)	30 (28.4)
Hydraulic reservoir, gal (l)	24 (90.8)
Hydraulic system, gal (l)	47 (177.8)
Axles (total), each, qt (l)	
Front	32 (30.3)
Rear	29 (27.4)

ELECTRICAL

Electrical System	24 volt, negative ground w/ 70 amp alternator
Batteries (two 12 volt)	700 CCA; 170 Ah

HYDRAULIC CYLINDERS

Lift cylinders, bore x stroke x rod, in (mm)	5.75 (146) x 24.78 (629.4) x 3.00 (76.2)
Dump cylinder, bore x stroke x rod, in (mm)	4.75 (120.6) x 32.59 (827.9) x 3.00 (76.2)
Steering cylinders, bore x stroke x rod, in (mm)	3.00 (76.2) x 19.09 (481.9) x 2.00 (50.8)

HYDRAULIC SYSTEMS/STEERING

Pump (steering/implement).....Variable Displacement, piston pump	Hydraulic cycle times
Maximum flow, gpm (l/m).....31.6 (120) @ 2000 RPM @ 3,600 psi (24,822 kPa)	Raise-loaded, sec5.59
Pressure, psi (kPa).....Loader relief: 3,625 (25,000); steering relief: 3,500 (24,132)	Dump-loaded1.75
Valves.....Closed-center, load sensing; positive low pressure regeneration for bucket dump	Lower-empty, power down3.29
Loader ControlsStandard two-function valve; single- or dual lever controls, optional third-function valve; with auxiliary lever, pilot operated controls with electromagnetic detents for float, raise, and bucket rollback; control lockout	Lower-empty, float down3.29
	Steering
	TypeHydraulic orbital, load sensing, 40 degree center pivot articulation
	Filtration10-micron, full flow cartridge filter on return line

PERFORMANCE DATA: PIN ON BUCKETS (see diagram previous page)

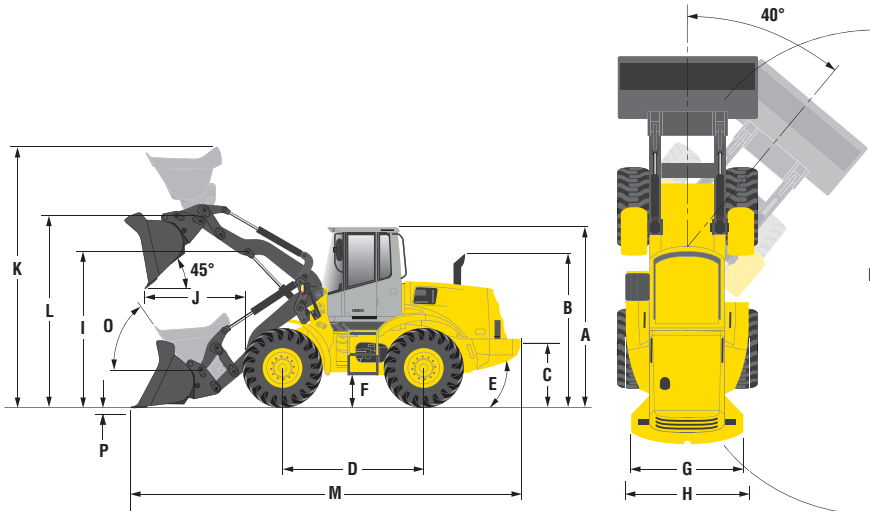
KEY	Bucket Type/Size									
	General Purpose w/ Bolt-on Edge		General Purpose w/ Teeth and Segments		General Purpose w/ Bolt-on Edge		General Purpose w/ Teeth and Segments		Light Material w/ Bolt-on Edge	
Capacity, heaped (SAE), cu yd (m ³)	3.0	(2.3)	3.0	(2.3)	3.25	(2.5)	3.25	(2.5)	3.5	(2.68)
Capacity, struck (SAE), cu yd (m ³)	2.53	(1.94)	2.53	(1.94)	2.76	(2.11)	2.76	(2.11)	3.01	(2.3)
Bucket width, in (mm)	106.3	(2700)	107.7	(2736)	106.3	(2700)	107.7	(2736)	106.3	(2700)
Bucket weight, lb (kg)	2,506	(1137)	2,699	(1224)	2,615	(1186)	2,807	(1273)	2,772	(1257)
Breakout force, lb (kg)	32,961	(14,951)	32,783	(14,870)	31,433	(14,258)	31,256	(14,178)	29,807	(13,520)
Tipping load, straight, lb (kg)	27,149	(12,315)	26,916	(12,209)	26,982	(12,239)	26,747	(12,132)	26,730	(12,124)
Tipping load @ 40 degree full turn, lb (kg)	23,556	(10,685)	23,323	(10,579)	23,396	(10,612)	23,161	(10,506)	23,157	(10,504)
I. Dump clearance, 45° dump angle-full height, in (mm)	116.7	(2963)	112.8	(2864)	115.4	(2930)	111.4	(2831)	113.8	(2892)
J. Reach, 45° dump angle, full height, in (mm) Reach, 45° dump angle, 7-ft. (2.13 m) height, in (mm)	42.7	(1086)	46.9	(1191)	44.3	(1125)	48.4	(1231)	46.1	(1171)
K. Overall height, bucket @ full height, in (mm)	203.5	(5169)	203.5	(5169)	205.9	(5229)	205.9	(5229)	208.6	(5298)
L. Hinge pin height, fully raised, in (mm)	156.7	(3980)	156.7	(3980)	156.7	(3980)	156.7	(3980)	156.7	(3980)
M. Overall length, bucket on ground, in (mm)	299.1	(7596)	305	(7747)	301.1	(7648)	307	(7799)	303.5	(7708)
N. Clearance circle, bucket @ carry, in (mm) Hydraulic lifting capacity @ full height, lb (kg) Hydraulic lifting capacity @ max. reach, lb (kg) Hydraulic lifting capacity @ ground level, lb (kg)	496.3	(12,607)	501.1	(12,727)	497.5	(12,636)	502.3	(12,757)	498.8	(12,671)
Max. dump angle @ full height	55°		55°		55°		55°		55°	
Max.rollback @ full height	57°		57°		57°		57°		57°	
Max.rollback @ max reach	54°		54°		54°		54°		54°	
O. Max. rollback @ carry Max.rollback @ ground	43°		43°		43°		43°		43°	
P. Digging depth, in (mm) Operating weight, lb (kg)	2.9	(73)	3.2	(81)	2.9	(73)	3.2	(81)	2.9	(73)
	31,100	(14,107)	31,292	(14,194)	31,209	(14,156)	31,401	(14,243)	31,365	(14,277)

PERFORMANCE DATA: COUPLER BUCKETS (see diagram previous page)

KEY	Bucket Type/Size							
	NH Coupler & General Purpose w/ Bolt-on Edge		NH Coupler General Purpose w/ Teeth & Segments		ACS Coupler General Purpose w/ Bolt-on Edge		ACS Coupler & General Purpose w/ Teeth & Segments	
Capacity, heaped (SAE), cu yd (m ³)	2.94	(2.25)	2.94	(2.25)	2.96	(2.26)	2.96	(2.26)
Capacity, struck (SAE), cu yd (m ³)	2.51	(1.92)	2.51	(1.92)	2.58	(1.97)	2.58	(1.97)
Bucket width, in (mm)	106.3	(2700)	107.2	(2724)	105.6	(2682)	105.6	(2682)
Bucket weight w/coupler, lb (kg)	3,373	(1530)	3,491	(1584)	3,689	(1673)	3,654	(1657)
Breakout force, lb (kg)	27,079	(12,283)	26,957	(12,227)	28,774	(13,052)	26,015	(11,800)
Tipping load, straight, lb (kg)	24,724	(11,215)	24,575	(11,147)	24,896	(11,293)	24,935	(11,310)
Tipping load @ 40 degree full turn, lb (kg)	21,336	(9678)	21,187	(9610)	21,475	(9741)	21,513	(9758)
I. Dump clearance, 45° dump angle-full height, in (mm)	111.1	(2821)	107.3	(2726)	112.2	(2850)	108.4	(2754)
J. Reach, 45° dump angle, full height, in (mm) Reach, 45° dump angle, 7-ft. (2.13 m) height, in (mm)	49.4	(1254)	53.2	(1351)	47.8	(1214)	51.8	(1316)
K. Overall height, bucket @ full height, in (mm)	68.3	(1736)	70.2	(1783)	67.3	(1709)	69.4	(1763)
L. Hinge pin height, fully raised, in (mm)	209.6	(5323)	209.6	(5323)	209	(5308)	209	(5308)
M. Overall length, bucket on ground, in (mm)	156.6	(3979)	156.6	(3979)	156.6	(3978)	156.6	(3978)
N. Clearance circle, bucket @ carry, in (mm) Hydraulic lifting capacity @ full height, lb (kg) Hydraulic lifting capacity @ max. reach, lb (kg) Hydraulic lifting capacity @ ground level, lb (kg)	307.8	(7817)	313.4	(7960)	305.9	(7771)	311.7	(7917)
Max. dump angle @ full height	501.4	(12,734)	505.6	(12,843)	499.8	(12,696)	503.3	(12,785)
Max.rollback @ full height	15,963	(7241)	15,845	(7187)	15,603	(7077)	15,638	(7093)
Max.rollback @ max reach	21,704	(9845)	21,584	(9790)	21,365	(9691)	21,400	(9707)
O. Max. rollback @ carry Max.rollback @ ground	27,001	(12,283)	26,905	(12,204)	27,060	(12,274)	27,120	(12,301)
P. Digging depth, in (mm) Operating weight, lb (kg)	55°		55°		55°		55°	
	57°		57°		57°		57°	
	54°		54°		54°		54°	
	43°		43°		43°		43°	
	39°		40°		39°		39°	
	2.9	(74)	3.3	(84)	3.1	(78)	3.4	(86)
	31,967	(14,500)	32,085	(14,553)	32,283	(14,643)	32,248	(14,627)

W170B TC Specifications

DIMENSIONS



A. Height to top of cab, in. (mm)	133.9 (3402)
B. Height to top of exhaust, in. (mm)	113.5 (2884)
C. Height to drawbar, in. (mm)	44.3 (1124)
D. Wheelbase, in. (mm)	128.1 (3253)
E. Rear departure angle	32°
Turning radius-outside of tires, in. (mm)	226.4 (5750)
F. Ground clearance, in. (mm)	18.7 (476)
G. Tread width, in. (mm)	79.9 (2030)
H. Width over tires, in. (mm)	100.9 (2562)

ENGINE

Make & modelFPT 667TA/EB3 EPA Tier III Certified
 Cylinders 6
 Displacement, cu in (l) 411 (6.7)
 Bore X stroke, in (mm) 4.09 (104) x 5.20 (132)

Power

Standard

Rated gross (per SAE J1995), hp (kW)181 (135) @ 2000 rpm
 Peak gross (per SAE J1995), hp (kW)182 (136) @ 1900 rpm
 Rated net (per SAEJ1349), hp (kW).....169 (126) @ 2000 rpm
 Peak net (per SAE J1349), hp (kW).....172 (128) @ 1800 rpm

Boosted power

Rated/peak gross (per SAE J1995, hp (kW)195 (145) @ 2000 rpm
 Rated/peak net (per SAE J1349), hp (kW)183 (137) @ 2000 rpm

Economy

Rated gross (per SAE J1995), hp (kW)136 (101) @ 2000 rpm
 Peak gross (per SAE J1995), hp (kW)157 (117) @ 1500 rpm
 Rated net (per SAEJ1349), hp (kW).....124 (93) @ 2000 rpm
 Peak net (per SAE J1349), hp (kW).....149 (111) @ 1500 rpm

Torque, Max.

Standard

Gross (per SAE J1995), lb-ft (N-m).....625 (847) @ 1400 RPM
 Net (per SAE J1349), lb-ft (N-m)596 (809) @ 1300 RPM

Boosted

Gross (per SAE J1995), lb-ft (N-m).....636 (862) @ 1400 RPM
 Net (per SAE J1349), lb-ft (N-m)605 (821) @ 1400 RPM

Economy

Gross (per SAE J1995), lb-ft (N-m).....614 (832) @ 1200 RPM
 Net (per SAE J1349), lb-ft (N-m)590 (800) @ 1200 RPM

Torque rise

..... 25%

Fuel injectionElectronic, common rail injection,

Fuel filter Full-flow spin-on cartridge

Lube system Full-flow spin-on cartridge w/ integral cooler

Aspiration Turbocharged, air to air cooled

Air cleaner Dry type elements w/ warning restriction indicator

Advanced cooling systemIndependent mounted coolers, mid-mounted

Fan, in (mm)Hydraulically driven suction fan, 28 (711) diameter,

purge feature optional

Radiator 5 rows, 9 fins/in.

TRANSMISSION

Type Countershaft, power shift
 Torque Converter Single-phase, single stage, 2.81:1 stall ratio
 Shift Control System Electronic control module, torque sensing,
 manual or automatic shifting

Control Location Steering column-mounted twist-grip shift lever,
 auxiliary controls on loader joystick

Travel speeds w/ 20.5 X 25 L3 tires

	Forward	Reverse
Gear 1, mph (km/h).....	4.7 (7.6)	5.0 (8.0)
Gear 2, mph (km/h).....	8.3 (13.4)	8.7 (14.0)
Gear 3, mph (km/h).....	15.3 (24.6)	16.0 (25.8)
Gear 4, mph (km/h).....	23.5 (37.8)	

AXLES/BRAKES

Differentials Limited slip, front and rear
 Final Drives Heavy-duty outboard planetary reduction
 Rear axle oscillation, in (mm) 24 degrees total, 35.4 (899) maximum
 vertical travel at wheel

Brakes

Service Brakes Outboard, hydraulically actuated, maintenance-free,
 multiple wet disc with accumulator, acting on all
 four wheels. Complies with ISO 3450

Parking Brake Spring applied, hydraulically released, acting
 on transmission output shaft

SERVICE CAPACITIES

Fuel tank, gal (l).....	66.9 (253)
Engine oil, qt (l).....	14 (13.25)
Engine oil / filter, qt (l).....	16 (15.1)
Transmission w/ filter, gal (l).....	6.75 (25.6)
Cooling system, qt (l).....	30 (28.4)
Hydraulic reservoir, gal (l).....	24 (90.8)
Hydraulic system, gal (l).....	47 (177.8)
Axles (total), each, qt (l)	
Front.....	32 (30.3)
Rear.....	29 (27.4)

ELECTRICAL

Electrical System24 volt, negative ground w/ 70 amp alternator
 Batteries (two 12 volt)..... 700 CCA; 170 Ah

HYDRAULIC CYLINDERS

Lift cylinders, bore x stroke x rod, in (mm)	5.75 (146) x 24.78 (629.4) x 3.00 (76.2)
Dump cylinder, bore x stroke x rod, in (mm).....	4.75 (120.6) x 32.59 (827.9) x 3.00 (76.2)
Steering cylinders, bore x stroke x rod, in (mm)	3.00 (76.2) x 19.09 (481.9) x 2.00 (50.8)

HYDRAULIC SYSTEMS/STEERING

Pump (steering/implement).....Variable Displacement, piston pump	Hydraulic cycle times
Maximum flow, gpm (l/m)..... 31.6 (120) @ 2000 RPM @ 3,600 psi (24,822 kPa)	Raise-loaded, sec 5.59
Pressure, psi (kPa)..... Loader relief: 3,625 (25,000); steering relief: 3,500 (24,132)	Dump-loaded 1.94
Valves.....Closed-center, load sensing; positive low pressure regeneration for bucket dump	Lower-empty, power down 3.29
Loader Controls Standard two-function valve; single-or dual lever controls, optional third-function valve; with auxiliary lever, pilot operated controls with electromagnetic detents for float, raise, and bucket rollback; control lockout	Lower-empty, float down 3.29
	Steering
	Type Hydraulic orbital, load sensing, 40 degree center pivot articulation
	Filtration 10-micron, full flow cartridge filter on return line

PERFORMANCE DATA: PIN ON BUCKETS (see diagram previous page)

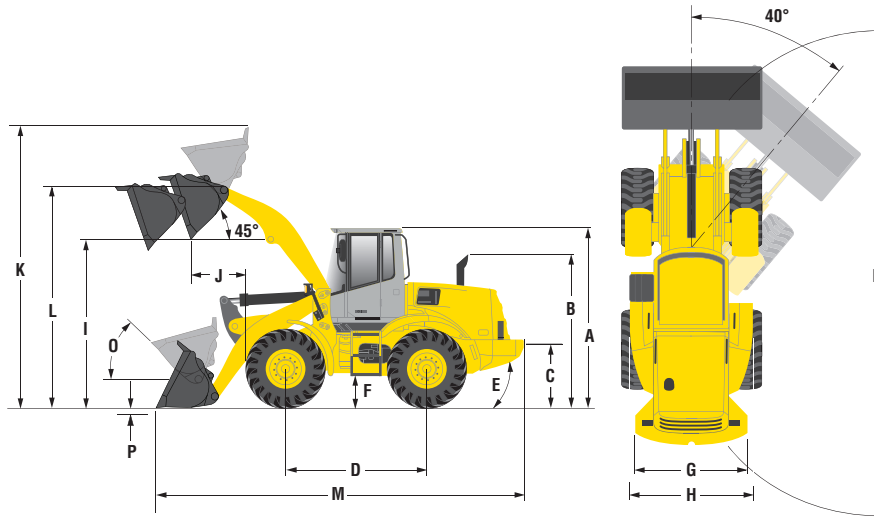
KEY	Bucket Type/Size			
	General Purpose w/ Bolt-on Edge		General Purpose w/ Teeth and Segments	
Capacity, heaped (SAE), cu yd (m ³)	3.0	(2.3)	3.0	(2.3)
Capacity, struck (SAE), cu yd (m ³)	2.53	(1.94)	2.53	(1.94)
Bucket width, in (mm)	106.3	(2700)	107.7	(2736)
Bucket weight, lb (kg)	2,506	(1137)	2,699	(1224)
Breakout force, lb (kg)	32,961	(14,951)	32,783	(14,870)
Tipping load, straight, lb (kg)	27,149	(12,315)	26,916	(12,209)
Tipping load @ 40 degree full turn, lb (kg)	23,556	(10,685)	23,323	(10,579)
I. Dump clearance,				
45° dump angle-full height, in (mm)	116.7	(2963)	112.8	(2864)
J. Reach, 45° dump angle, full height, in (mm)	42.7	(1086)	46.9	(1191)
Reach, 45° dump angle,				
7-ft. (2.13 m) height, in (mm)	64.3	(1633)	66.7	(1693)
K. Overall height, bucket @ full height, in (mm)	203.5	(5169)	203.5	(5169)
L. Hinge pin height, fully raised, in (mm)	156.7	(3980)	156.7	(3980)
M. Overall length, bucket on ground, in (mm)	299.1	(7596)	305	(7747)
N. Clearance circle, bucket @ carry, in (mm)	496.3	(12,607)	501.1	(12,727)
Hydraulic lifting capacity @ full height, lb (kg)	16,822	(7630)	16,630	(7543)
Hydraulic lifting capacity @ max. reach, lb (kg)	22,683	(10,289)	22,488	(10,200)
Hydraulic lifting capacity @ ground level, lb (kg)	29,108	(13,203)	28,905	(13,111)
Max. dump angle @ full height	55°		55°	
Max.rollback @ full height	57°		57°	
Max rollback @ max reach	54°		54°	
O. Max. rollback @ carry	43°		43°	
Max.rollback @ ground	39°		40°	
P. Digging depth, in (mm)	2.9	(73)	3.2	(81)
Operating weight, lb (kg)	31,100	(14,107)	31,292	(14,194)

PERFORMANCE DATA: COUPLER BUCKETS (see diagram previous page)

KEY	Bucket Type/Size							
	NH Coupler & General Purpose w/ Bolt-on Edge		NH Coupler General Purpose w/ Teeth & Segments		ACS Coupler General Purpose w/ Bolt-on Edge		ACS Coupler & General Purpose w/ Teeth & Segments	
Capacity, heaped (SAE), cu yd (m ³)	2.94	(2.25)	2.94	(2.25)	2.96	(2.26)	2.96	(2.26)
Capacity, struck (SAE), cu yd (m ³)	2.51	(1.92)	2.51	(1.92)	2.58	(1.97)	2.58	(1.97)
Bucket width, in (mm)	106.3	(2700)	107.2	(2724)	105.6	(2682)	105.6	(2682)
Bucket weight w/coupler, lb (kg)	3,125	(1417)	3,242	(1471)	3,744	(1698)	3,709	(1682)
Breakout force, lb (kg)	29,172	(13,232)	29,062	(13,182)	28,043	(12,720)	25,544	(11,587)
Tipping load, straight, lb (kg)	23,425	(10,626)	23,277	(10,558)	22,930	(10,401)	22,969	(10,418)
Tipping load @ 40 degree full turn, lb (kg)	20,191	(9158)	20,042	(9091)	19,710	(8940)	19,748	(8958)
I. Dump clearance,								
45° dump angle-full height, in (mm)	116.3	(2954)	112.6	(2860)	115.4	(2932)	111.7	(2837)
J. Reach, 45° dump angle, full height, in (mm)	48.7	(1238)	52.5	(1334)	50.3	(1837)	54.3	(1380)
Reach, 45° dump angle,								
7-ft. (2.13 m) height, in (mm)	71.1	(1806)	73.1	(1858)	72.3	(1837)	74.5	(1892)
K. Overall height, bucket @ full height, in (mm)	215.8	(5481)	215.8	(5481)	217.9	(5534)	217.9	(5534)
L. Hinge pin height, fully raised, in (mm)	163.8	(4161)	163.8	(4161)	163.8	(5534)	163.8	(5534)
M. Overall length, bucket on ground, in (mm)	310.2	(7880)	315.9	(8023)	311.7	(7917)	317.4	(8063)
N. Clearance circle, bucket @ carry, in (mm)	494.9	(12,571)	498.2	(12,655)	494.8	(12,568)	497.3	(12,631)
Hydraulic lifting capacity @ full height, lb (kg)	15,133	(6864)	15,003	(6805)	14,590	(6618)	14,626	(6634)
Hydraulic lifting capacity @ max. reach, lb (kg)	20,356	(9233)	20,234	(9178)	19,754	(8960)	19,789	(8976)
Hydraulic lifting capacity @ ground level, lb (kg)	29,263	(13,273)	29,037	(13,171)	28,724	(13,029)	28,668	(13,003)
Max. dump angle @ full height	55°		55°		55°		55°	
Max.rollback @ full height	58°		58°		58°		58°	
Max rollback @ max reach	54°		54°		54°		54°	
O. Max. rollback @ carry	58°		58°		58°		58°	
Max.rollback @ ground	58°		58°		58°		58°	
P. Digging depth, in (mm)	3.4	(87)	3.8	(97)	3.0	(77)	3.4	(85)
Operating weight, lb (kg)	31,944	(14,490)	32,062	(14,543)	32,564	(14,771)	32,529	(14,755)

W170B LR Specifications

DIMENSIONS



A. Height to top of cab, in. (mm)	133.9 (3402)
B. Height to top of exhaust, in. (mm)	113.5 (2884)
C. Height to drawbar, in. (mm)	44.3 (1124)
D. Wheelbase, in. (mm)	128.1 (3253)
E. Rear departure angle	32°
Turning radius-outside of tires, in. (mm)	226.4 (5750)
F. Ground clearance, in. (mm)	18.7 (476)
G. Tread width, in. (mm)	79.9 (2030)
H. Width over tires, in. (mm)	100.9 (2562)

ENGINE

Make & model	FPT 667TA/EB3 EPA Tier III Certified
Cylinders	6
Displacement, cu in (l)	411 (6.7)
Bore X stroke, in (mm)	4.09 (104) x 5.20 (132)
Power	
Standard	
Rated gross (per SAE J1995), hp (kW)	181 (135) @ 2000 rpm
Peak gross (per SAE J1995), hp (kW)	182 (136) @ 1900 rpm
Rated net (per SAE J1349), hp (kW)	169 (126) @ 2000 rpm
Peak net (per SAE J1349), hp (kW)	172 (128) @ 1800 rpm
Boosted power	
Rated/peak gross (per SAE J1995, hp (kW)	195 (145) @ 2000 rpm
Rated/peak net (per SAE J1349), hp (kW)	183 (137) @ 2000 rpm
Economy	
Rated gross (per SAE J1995), hp (kW)	136 (101) @ 2000 rpm
Peak gross (per SAE J1995), hp (kW)	157 (117) @ 1500 rpm
Rated net (per SAE J1349), hp (kW)	124 (93) @ 2000 rpm
Peak net (per SAE J1349), hp (kW)	149 (111) @ 1500 rpm

Torque, Max.

Standard	
Gross (per SAE J1995), lb-ft (N-m)	625 (847) @ 1400 RPM
Net (per SAE J1349), lb-ft (N-m)	596 (809) @ 1300 RPM
Boosted	
Gross (per SAE J1995), lb-ft (N-m)	636 (862) @ 1400 RPM
Net (per SAE J1349), lb-ft (N-m)	605 (821) @ 1400 RPM
Economy	
Gross (per SAE J1995), lb-ft (N-m)	614 (832) @ 1200 RPM
Net (per SAE J1349), lb-ft (N-m)	590 (800) @ 1200 RPM
Torque rise	25%
Fuel injection	Electronic, common rail injection
Fuel filter	Full-flow spin-on cartridge
Lube system	Full-flow spin-on cartridge w/ integral cooler
Aspiration	Turbocharged, air to air cooled
Air cleaner	Dry type elements w/ warning restriction indicator
Advanced cooling system	Independent mounted coolers, mid-mounted
Fan, in (mm)	Hydraulically driven suction fan, 28 (711) diameter, purge feature optional
Radiator	5 rows, 9 fins/in.

TRANSMISSION

Type	Countershaft, power shift	
Torque Converter	Single-phase, single stage, 2.81:1 stall ratio	
Shift Control System	Electronic control module, torque sensing, manual or automatic shifting	
Control Location	Steering column-mounted twist-grip shift lever, auxiliary controls on loader joystick	
Travel speeds w/ 20.5 X 25 L3 tires		
	Forward	Reverse
Gear 1, mph (km/h)	4.7 (7.6)	5.0 (8.0)
Gear 2, mph (km/h)	8.3 (13.4)	8.7 (14.0)
Gear 3, mph (km/h)	15.3 (24.6)	16.0 (25.8)
Gear 4, mph (km/h)	23.5 (37.8)	

AXLES/BRAKES

Differentials	Limited slip, front and rear
Final Drives	Heavy-duty outboard planetary reduction
Rear axle oscillation, in (mm)	24 degrees total, 35.4 (899) maximum vertical travel at wheel
Brakes	
Service Brakes	Outboard, hydraulically actuated, maintenance-free, multiple wet disc with accumulator, acting on all four wheels. Complies with ISO 3450
Parking Brake	Spring applied, hydraulically released, acting on transmission output shaft

SERVICE CAPACITIES

Fuel tank, gal (l)	66.9 (253)
Engine oil, qt (l)	14 (13.25)
Engine oil / filter, qt (l)	16 (15.1)
Transmission w/ filter, gal (l)	6.75 (25.6)
Cooling system, qt (l)	30 (28.4)
Hydraulic reservoir, gal (l)	24 (90.8)
Hydraulic system, gal (l)	47 (177.8)
Axles (total), each, qt (l)	
Front	32 (30.3)
Rear	29 (27.4)

ELECTRICAL

Electrical System	24 volt, negative ground w/ 70 amp alternator
Batteries (two 12 volt)	700 CCA; 170 Ah

HYDRAULIC CYLINDERS

Lift cylinders, bore x stroke x rod, in (mm)	5.75 (146) x 24.78 (629.4) x 3.00 (76.2)
Dump cylinder, bore x stroke x rod, in (mm)	4.75 (120.6) x 32.59 (827.9) x 3.00 (76.2)
Steering cylinders, bore x stroke x rod, in (mm)	3.00 (76.2) x 19.09 (481.9) x 2.00 (50.8)

HYDRAULIC SYSTEMS/STEERING

Pump (steering/implement).....Variable Displacement, piston pump	Hydraulic cycle times
Maximum flow, gpm (l/m)..... 31.6 (120) @ 2000 RPM @ 3,600 psi (24,822 kPa)	Raise-loaded, sec 5.59
Pressure, psi (kPa)..... Loader relief: 3,625 (25,000); steering relief: 3,500 (24,132)	Dump-loaded 1.75
Valves.....Closed-center, load sensing; positive low pressure regeneration for bucket dump	Lower-empty, power down 3.29
Loader Controls Standard two-function valve; single-or dual lever controls, optional third-function valve; with auxiliary lever, pilot operated controls with electromagnetic detents for float, raise, and bucket rollback; control lockout	Lower-empty, float down 3.29
	Steering
	TypeHydraulic orbital, load sensing, 40 degree center pivot articulation
	Filtration10-micron, full flow cartridge filter on return line

PERFORMANCE DATA: PIN ON BUCKETS (see diagram previous page)

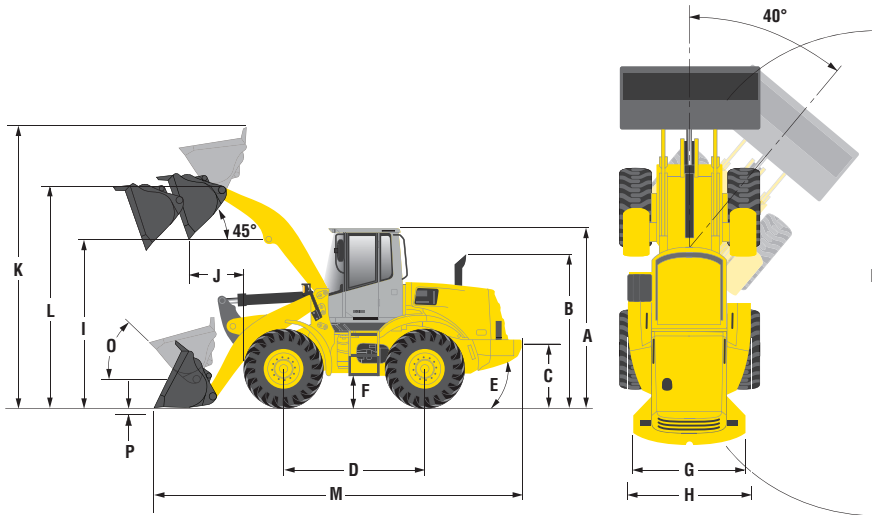
KEY	Bucket Type/Size							
	General Purpose w/ Bolt-on Edge	General Purpose w/ Teeth and Segments	Excavating Bucket w/ Bolt-on Edge	Excavating Bucket w/ Teeth and Segments	General Purpose w/ Bolt-on Edge	General Purpose w/ Teeth and Segments	Light Material w/ Bolt-on Edge	
Capacity, heaped (SAE), cu yd (m³)	3.0 (2.3)	3.0 (2.3)	3.01 (2.30)	3.01 (2.30)	3.25 (2.49)	3.25 (2.49)	3.50 (2.68)	
Capacity, struck (SAE), cu yd (m³)	2.53 (1.94)	2.53 (1.94)	2.53 (1.94)	2.53 (1.94)	2.76 (2.11)	2.76 (2.11)	3.01 (2.30)	
Bucket width, in (mm)	106.3 (2700)	107.7 (2736)	106.3 (2700)	107.7 (2736)	106.3 (2700)	107.7 (2736)	106.3 (2700)	
Bucket weight, lb (kg)	2,506 (1137)	2,699 (1224)	2,506 (1137)	2,699 (1224)	2,615 (1186)	2,807 (1273)	2,823 (1280)	
Breakout force, lb (kg)	32,961 (14,951)	32,783 (14,870)	32,778 (14,868)	32,608 (14,791)	31,258 (14,179)	31,089 (14,102)	29,615 (13,433)	
Tipping load, straight, lb (kg)	27,149 (12,315)	26,916 (12,209)	22,811 (10,347)	22,583 (10,243)	22,652 (10,275)	22,423 (10,171)	22,367 (10,145)	
Tipping load @ 40 degree full turn, lb (kg)	23,556 (10,685)	23,323 (10,579)	19,672 (8923)	19,444 (8819)	19,519 (8854)	19,290 (8750)	19,245 (8729)	
I. Dump clearance, 45° dump angle-full height, in (mm)	116.7 (2963)	112.8 (2864)	132.2 (3358)	128.3 (3258)	130.9 (3324)	127.0 (3225)	129.4 (3286)	
J. Reach, 45° dump angle, full height, in (mm)	42.7 (1086)	46.9 (1191)	42.8 (1087)	46.9 (1192)	44.3 (1126)	48.5 (1231)	46.1 (1172)	
Reach, 45° dump angle, 7-ft. (2.13 m) height, in (mm)	64.3 (1633)	66.7 (1693)	76.4 (1942)	79.0 (2007)	77.5 (1968)	80.0 (2032)	78.7 (1998)	
K. Overall height, bucket @ full height, in (mm)	203.5 (5169)	203.5 (5169)	219.0 (5564)	219.0 (5564)	221.4 (5623)	221.4 (5623)	224.1 (5692)	
L. Hinge pin height, fully raised, in (mm)	156.7 (3980)	156.7 (3980)	172.2 (4374)	172.2 (4374)	172.2 (4374)	172.2 (4374)	172.2 (4374)	
M. Overall length, bucket on ground, in (mm)	299.1 (7596)	305 (7747)	313.2 (7955)	319.1 (8105)	315.2 (8006)	321.1 (8156)	317.6 (8066)	
N. Clearance circle, bucket @ carry, in (mm)	496.3 (12,607)	501.1 (12,727)	508.7 (12,922)	514.0 (13,055)	510.1 (12,956)	515.3 (13,090)	511.6 (12,996)	
Hydraulic lifting capacity:								
@ full height, lb (kg)	16,822 (7630)	16,630 (7543)	15,623 (7086)	15,431 (7000)	15,515 (7037)	15,323 (6950)	15,307 (6943)	
@ max. reach, lb (kg)	22,683 (10,289)	22,488 (10,200)	20,224 (9173)	20,028 (9085)	20,111 (9122)	19,916 (9034)	19,897 (9025)	
@ ground level, lb (kg)	29,108 (13,203)	28,905 (13,111)	24,241 (10,996)	24,036 (10,903)	24,047 (10,907)	23,843 (10,815)	23,738 (10,768)	
Max. dump angle @ full height	55°	55°	55°	55°	55°	55°	55°	
Max.rollback @ full height	57°	57°	57°	57°	57°	57°	57°	
Max.rollback @ max reach	54°	54°	53°	53°	53°	53°	53°	
O. Max. rollback @ carry	43°	43°	41°	41°	41°	41°	41°	
Max.rollback @ ground	39°	40°	37°	37°	37°	37°	37°	
P. Digging depth, in (mm)	2.9 (73)	3.2 (81)	3.0 (76)	3.3 (84)	3.0 (76)	3.3 (84)	3.0 (76)	
Operating weight, lb (kg)	31,100 (14,107)	31,292 (14,194)	31,852 (14,448)	32,044 (14,535)	31,961 (14,497)	32,153 (14,584)	32,168 (14,591)	

PERFORMANCE DATA: COUPLER BUCKETS (see diagram previous page)

KEY	Bucket Type/Size			
	NH Coupler & General Purpose w/ Bolt-on Edge	NH Coupler General Purpose w/ Teeth & Segments	ACS Coupler General Purpose w/ Bolt-on Edge	ACS Coupler & General Purpose w/ Teeth & Segments
Capacity, heaped (SAE), cu yd (m³)	2.94 (2.25)	2.94 (2.25)	2.96 (2.26)	2.96 (2.26)
Capacity, struck (SAE), cu yd (m³)	2.51 (1.92)	2.51 (1.92)	2.58 (1.97)	2.58 (1.97)
Bucket width, in (mm)	106.3 (2700)	107.2 (2724)	105.6 (2682)	105.6 (2682)
Bucket weight w/coupler, lb (kg)	3,373 (1530)	3,491 (1584)	3,689 (1673)	3,654 (1657)
Breakout force, lb (kg)	26,926 (12,213)	26,812 (12,162)	28,607 (12,976)	25,871 (11,735)
Tipping load, straight, lb (kg)	20,763 (9418)	20,618 (9352)	20,832 (9449)	20,870 (9467)
Tipping load @ 40 degree full turn, lb (kg)	17,786 (8068)	17,641 (8002)	17,830 (8088)	17,868 (8105)
I. Dump clearance, 45° dump angle-full height, in (mm)	126.6 (3215)	122.9 (3121)	127.7 (3244)	123.9 (3148)
J. Reach, 45° dump angle, full height, in (mm)	49.4 (1255)	53.2 (1352)	47.8 (1215)	51.8 (1317)
Reach, 45° dump angle, 7-ft. (2.13 m) height, in (mm)	80.8 (2052)	82.9 (2105)	79.7 (2024)	82.0 (2083)
K. Overall height, bucket @ full height, in (mm)	225.1 (5717)	225.1 (5717)	224.5 (5702)	224.5 (5702)
L. Hinge pin height, fully raised, in (mm)	172.2 (4373)	172.2 (4373)	172.1 (4373)	172.1 (4373)
M. Overall length, bucket on ground, in (mm)	321.9 (8176)	327.4 (8317)	320.0 (8128)	325.7 (8274)
N. Clearance circle, bucket @ carry, in (mm)	514.6 (13,070)	519.3 (13,191)	512.9 (13,028)	516.9 (13,130)
Hydraulic lifting capacity @ full height, lb (kg)	14,768 (6699)	14,651 (6645)	14,407 (6535)	14,442 (6551)
Hydraulic lifting capacity @ max. reach, lb (kg)	19,257 (8735)	19,136 (8680)	18,915 (8580)	18,951 (8596)
Hydraulic lifting capacity @ ground level, lb (kg)	22,434 (10,176)	22,325 (10,126)	22,422 (10,170)	22,472 (10,193)
Max. dump angle @ full height	55°	55°	55°	55°
Max.rollback @ full height	57°	57°	56°	56°
Max.rollback @ max reach	53°	53°	52°	52°
O. Max. rollback @ carry	41°	41°	41°	41°
Max.rollback @ ground	37°	37°	37°	37°
P. Digging depth, in (mm)	3.0 (77)	3.4 (87)	3.2 (81)	3.5 (89)
Operating weight, lb (kg)	32,719 (14,841)	32,837 (14,894)	33,035 (14,984)	33,000 (14,968)

W190B Specifications

DIMENSIONS



A. Height to top of cab, in. (mm)	136.5 (3450)
B. Height to top of exhaust, in. (mm)	116.7 (2963)
C. Height to drawbar, in. (mm)	42.1 (1071)
D. Wheelbase, in. (mm)	131.5 (3340)
E. Rear departure angle	33°
Turning radius-outside of tires, in. (mm)	237.5 (6032)
F. Ground clearance, in. (mm)	16.4 (415.8)
G. Tread width, in. (mm)	87.8 (2230)
H. Width over tires, in. (mm)	113.6 (2885)

ENGINE

Make & model	FPT 667TA/EBD	EPA Tier III Certified
Cylinders	6	
Displacement, cu in (l)	411 (6.7)	
Bore X stroke, in (mm)	4.09 (104) x 5.20 (132)	
Power		
Standard		
Rated gross (per SAE J1995), hp (kW)	209 (156)	@ 2000 rpm
Peak gross (per SAE J1995), hp (kW)	210 (157)	@ 1800 rpm
Rated net (per SAE J1349), hp (kW)	195 (145)	@ 2000 rpm
Peak net (per SAE J1349), hp (kW)	198 (148)	@ 1800 rpm
Boosted power		
Rated/peak gross (per SAE J1995), hp (kW)	227 (169)	@ 2000 rpm
Rated/peak net (per SAE J1349), hp (kW)	213 (159)	@ 2000 rpm
Economy		
Rated gross (per SAE J1995), hp (kW)	177 (132)	@ 2000 rpm
Peak gross (per SAE J1995), hp (kW)	190 (142)	@ 1500 rpm
Rated net (per SAE J1349), hp (kW)	163 (122)	@ 2000 rpm
Peak net (per SAE J1349), hp (kW)	181 (135)	@ 1500 rpm

Torque, Max.

Standard	
Gross (per SAE J1995), lb-ft (N-m)	724 (982) @ 1400 RPM
Net (per SAE J1349), lb-ft (N-m)	701 (950) @ 1300 RPM
Boosted	
Gross (per SAE J1995), lb-ft (N-m)	739 (1002) @ 1400 RPM
Net (per SAE J1349), lb-ft (N-m)	712 (966) @ 1400 RPM
Economy	
Gross (per SAE J1995), lb-ft (N-m)	712 (966) @ 1200 RPM
Net (per SAE J1349), lb-ft (N-m)	693 (940) @ 1200 RPM
Governor	Electronic control
Torque rise	33%
Fuel injection	Direct injection, diesel
Fuel filter	Full-flow spin-on cartridge
Lube system	Full-flow spin-on cartridge w/ integral cooler
Aspiration	Turbocharged, air to air cooled
Air cleaner	Dry type elements w/ warning restriction indicator
Advanced cooling system	Independent mounted coolers, mid-mounted
Fan, in (mm)	Hydraulically driven suction fan, 28 (711) diameter, purge feature optional
Radiator	5 rows, 9 fins/in.

TRANSMISSION

Type	Countershaft, power shift	
Torque Converter	Single-phase, single stage, 2.81:1 stall ratio	
Shift Control System	Electronic control module, torque sensing, manual or automatic shifting	
Control Location	Steering column-mounted twist-grip shift lever, auxiliary controls on loader joystick	
Travel speeds w/ 23.5 X 25 L3 tires		
	Forward	Reverse
Gear 1, mph (km/h)	4.4 (7.1)	4.9 (7.9)
Gear 2, mph (km/h)	7.8 (12.6)	8.6 (13.8)
Gear 3, mph (km/h)	14.5 (23.3)	15.7 (25.3)
Gear 4, mph (km/h)	23.0 (37.0)	

AXLES/BRAKES

Differentials	Limited slip, front and rear
Final Drives	Heavy-duty outboard planetary reduction
Rear axle oscillation, in (mm)	24 degrees total, 15.2 (386) maximum vertical travel at wheel
Brakes	
Service Brakes	Outboard, hydraulically actuated, maintenance-free, multiple wet disc with accumulator, acting on all four wheels. Complies with ISO 3450
Parking Brake	Spring applied, hydraulically released, acting on transmission output shaft

SERVICE CAPACITIES

Fuel tank, gal (l)	76 (288)
Engine oil, qt (l)	13 (12.3)
Engine oil / filter, qt (l)	14 (13.25)
Transmission w/ filter, gal (l)	36 (34.1)
Cooling system, qt (l)	10 (38)
Hydraulic reservoir, gal (l)	24 (90.8)
Hydraulic system, gal (l)	47 (178)
Axles (total), each, qt (l)	
Front	39.5 (37.4)
Rear	25 (23.7)

ELECTRICAL

Electrical System	24 volt, negative ground w/ 70 amp alternator
Batteries (two 12 volt)	700 CCA; 170 Ah

HYDRAULIC CYLINDERS

Lift cylinders, bore x stroke x rod, in (mm)	5.25 (133.4) x 33.3 (845.7) x 3.00 (76.2)
Dump cylinder, bore x stroke x rod, in (mm)	6.50 (165.1) x 23.61 (599.6) x 3.50 (88.9)
Steering cylinders, bore x stroke x rod, in (mm)	3.25 (82.6) x 18.97 (481.9) x 1.75 (44.5)

HYDRAULIC SYSTEMS/STEERING

Pump (steering/implement).....Variable Displacement, piston pump	Raise-loaded, sec 5.64
Maximum flow, gpm (l/m)..... 31.6 (120) @ 2000 RPM @ 3,600 psi (24,822 kPa)	Dump-loaded..... 1.16
Pressure, psi (kPa)..... Loader relief: 3,625 (25,000); steering relief: 3,500 (24,132)	Lower-empty, power down 2.76
Valves.....Closed-center, load sensing; positive low pressure regeneration for bucket dump	Lower-empty, float down 2.17
Loader Controls Standard two-function valve; single-or dual lever controls, optional third-function valve; with auxiliary lever, pilot operated controls with electromagnetic detents for float, raise, and bucket rollback; control lockout	Steering TypeHydraulic orbital, load sensing, 40 degree center pivot articulation
	Filtration10-micron, full flow cartridge filter on return line

PERFORMANCE DATA: PIN ON BUCKETS (see diagram previous page)

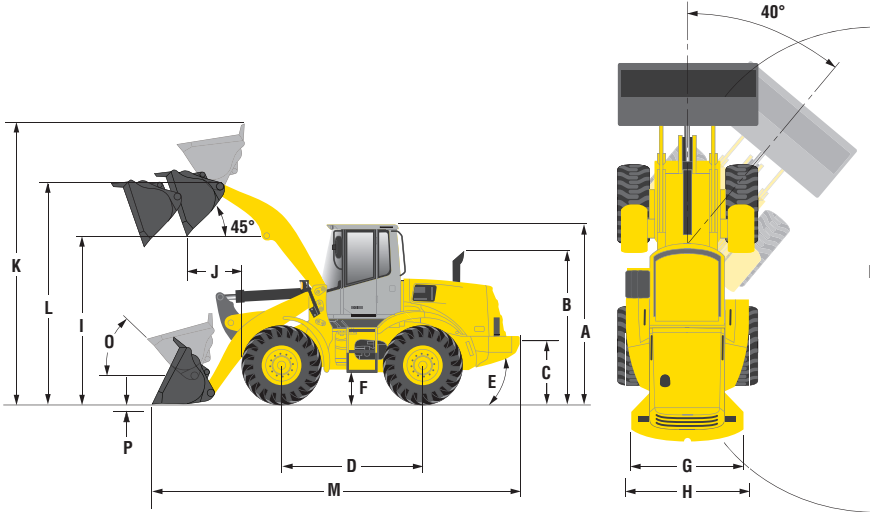
KEY	Bucket Type/Size									
	General Purpose w/ Bolt-on Edge		General Purpose w/ Teeth and Segments		Medium Density w/ Bolt-on Edge		Medium Density w/ Teeth and Segments		Light Material w/ Bolt-on Edge	
Capacity, heaped (SAE), cu yd (m ³)	3.44	(2.63)	3.44	(2.63)	4.15	(3.17)	4.15	(3.17)	4.43	(3.39)
Capacity, struck (SAE), cu yd (m ³)	2.90	(2.22)	2.90	(2.22)	3.54	(2.71)	3.54	(2.71)	3.78	(2.89)
Bucket width, in (mm)	115.3	(2929)	120.0	(3049)	115.3	(2929)	120.0	(3049)	115.3	(2929)
Bucket weight, lb (kg)	3,107	(1410)	3,225	(1463)	3,442	(1561)	3,560	(1615)	3,508	(1591)
Breakout force, lb (kg)	40,737	(18,478)	36,331	(16,480)	35,407	(16,060)	31,976	(14,504)	34,415	(15,610)
Tipping load, straight, lb (kg)	32,083	(14,553)	31,930	(14,483)	31,544	(14,308)	31,387	(14,237)	31,281	(14,189)
Tipping load @ 40 degree full turn, lb (kg)	27,769	(12,596)	27,616	(12,526)	27,253	(12,362)	27,095	(12,290)	27,015	(12,254)
I. Dump clearance, 45° dump angle-full height, in (mm)	121.5	(3087)	118.1	(3000)	117.5	(2984)	114.1	(2897)	116.6	(2962)
J. Reach, 45° dump angle, full height, in (mm)	38.8	(985)	42.8	(1088)	43.6	(1107)	47.6	(1210)	44.6	(1133)
Reach, 45° dump angle, 7-ft. (2.13 m) height, in (mm)	64.0	(1626)	66.6	(1691)	67.0	(1703)	69.5	(1764)	67.7	(1719)
K. Overall height, bucket @ full height, in (mm)	210.1	(5337)	210.1	(5337)	216.4	(5496)	216.4	(5496)	217.7	(5531)
L. Hinge pin height, fully raised, in (mm)	162.3	(4124)	162.3	(4124)	162.3	(4123)	162.3	(4123)	162.3	(4123)
M. Overall length, bucket on ground, in (mm)	303.1	(7699)	308.4	(7834)	309.4	(7859)	314.7	(7993)	310.8	(7893)
N. Clearance circle, bucket @ carry, in (mm)	515.6	(13,097)	522.9	(13,282)	519.1	(13,186)	526.5	(13,374)	519.9	(13,206)
Hydraulic lifting capacity @ full height, lb (kg)	20,729	(9402)	20,610	(9348)	20,391	(9249)	20,271	(9195)	20,321	(9217)
Hydraulic lifting capacity @ max. reach, lb (kg)	27,454	(12,453)	27,332	(12,398)	27,101	(12,293)	26,979	(12,238)	27,018	(12,255)
Hydraulic lifting capacity @ ground level, lb (kg)	35,563	(16,131)	35,432	(16,072)	35,064	(15,905)	34,930	(15,844)	34,832	(15,800)
Max. dump angle @ full height	55°		55°		55°		55°		55°	
Max.rollback @ full height	59°		59°		59°		59°		59°	
Max rollback @ max reach	54°		54°		54°		54°		54°	
O. Max. rollback @ carry	44°		44°		44°		44°		44°	
Max.rollback @ ground	41°		41°		41°		41°		41°	
P. Digging depth, in (mm)	2.9	(74)	2.9	(74)	2.9	(75)	2.9	(75)	2.9	(75)
Operating weight, lb (kg)	37,844	(17,166)	37,962	(17,219)	38,178	(17,317)	38,296	(17,371)	38,245	(17,347)

PERFORMANCE DATA: COUPLER BUCKETS (see diagram previous page)

KEY	Bucket Type/Size							
	NH Coupler & General Purpose w/ Bolt-on Edge		General Purpose w/ Teeth & Segments		ACS Coupler & General Purpose w/ Bolt-on Edge		ACS Coupler & General Purpose w/ Teeth & Segments	
Capacity, heaped (SAE), cu yd (m ³)	3.44	(2.63)	3.44	(2.63)	3.77	(2.88)	3.77	(2.88)
Capacity, struck (SAE), cu yd (m ³)	2.88	(2.20)	2.88	(2.20)	3.17	(2.42)	3.17	(2.42)
Bucket width, in (mm)	119.3	(3030)	120.6	(3063)	119.3	(3030)	120.0	(3048)
Bucket weight w/coupler, lb (kg)	4,221	(1915)	4,425	(2007)	4,338	(1968)	4,514	(2047)
Breakout force, lb (kg)	32,919	(14,932)	34,581	(15,686)	34,785	(15,778)	31,191	(14,148)
Tipping load, straight, lb (kg)	29,154	(13,224)	28,909	(13,113)	29,962	(13,590)	29,731	(13,486)
Tipping load @ 40 degree full turn, lb (kg)	25,091	(11,381)	24,846	(11,270)	25,780	(11,694)	25,549	(11,589)
I. Dump clearance, 45° dump angle-full height, in (mm)	115.3	(2929)	111.3	(2827)	117.2	(2978)	113.4	(2879)
J. Reach, 45° dump angle, full height, in (mm)	46.1	(1172)	50.8	(1291)	45.7	(1161)	49.8	(1265)
Reach, 45° dump angle, 7-ft. (2.13 m) height, in (mm)	68.6	(1742)	71.2	(1809)	69.1	(1754)	71.2	(1810)
K. Overall height, bucket @ full height, in (mm)	215.8	(5482)	215.8	(5482)	214.8	(5455)	214.8	(5455)
L. Hinge pin height, fully raised, in (mm)	162.3	(4122)	162.3	(4122)	162.3	(4123)	162.3	(4123)
M. Overall length, bucket on ground, in (mm)	312.7	(7944)	318.9	(8101)	309.8	(7869)	315.7	(8019)
N. Clearance circle, bucket @ carry, in (mm)	524.7	(13,327)	529.5	(13,450)	523.0	(13,284)	527.1	(13,388)
Hydraulic lifting capacity @ full height, lb (kg)	19,571	(8877)	19,365	(8784)	19,481	(8836)	19,303	(8756)
Hydraulic lifting capacity @ max. reach, lb (kg)	26,176	(11,873)	25,967	(11,779)	26,150	(11,861)	25,968	(11,779)
Hydraulic lifting capacity @ ground level, lb (kg)	33,407	(15,153)	33,193	(15,046)	33,786	(15,325)	33,613	(15,246)
Max. dump angle @ full height	55°		55°		55°		55°	
Max.rollback @ full height	59°		59°		59°		59°	
Max rollback @ max reach	54°		54°		54°		54°	
O. Max. rollback @ carry	44°		44°		44°		44°	
Max.rollback @ ground	41°		41°		41°		42°	
P. Digging depth, in (mm)	3.0	(76)	3.0	(76)	2.8	(72)	3.2	(81)
Operating weight, lb (kg)	38,957	(17,671)	39,162	(17,763)	39,074	(17,724)	39,250	(17,804)

W190B LR Specifications

DIMENSIONS



A. Height to top of cab, in. (mm)	136.5 (3450)
B. Height to top of exhaust, in. (mm)	116.7 (2963)
C. Height to drawbar, in. (mm)	42.1 (1071)
D. Wheelbase, in. (mm)	131.5 (3340)
E. Rear departure angle	33°
Turning radius-outside of tires, in. (mm)	237.5 (6032)
F. Ground clearance, in. (mm)	16.4 (415.8)
G. Tread width, in. (mm)	87.8 (2230)
H. Width over tires, in. (mm)	113.6 (2885)

ENGINE

Make & model FPT 667TA/EBD EPA Tier III Certified
 Cylinders 6
 Displacement, cu in (l) 411 (6.7)
 Bore X stroke, in (mm) 4.09 (104) x 5.20 (132)

Power

Standard

Rated gross (per SAE J1995), hp (kW) 209 (156) @ 2000 rpm
 Peak gross (per SAE J1995), hp (kW) 210 (157) @ 1800 rpm
 Rated net (per SAE J1349), hp (kW) 195 (145) @ 2000 rpm
 Peak net (per SAE J1349), hp (kW) 198 (148) @ 1800 rpm

Boosted power

Rated/peak gross (per SAE J1995, hp (kW) 227 (169) @ 2000 rpm
 Rated/peak net (per SAE J1349), hp (kW) 213 (159) @ 2000 rpm

Economy

Rated gross (per SAE J1995), hp (kW) 177 (132) @ 2000 rpm
 Peak gross (per SAE J1995), hp (kW) 190 (142) @ 1500 rpm
 Rated net (per SAE J1349), hp (kW) 163 (122) @ 2000 rpm
 Peak net (per SAE J1349), hp (kW) 181 (135) @ 1500 rpm

Torque, Max.

Standard

Gross (per SAE J1995), lb-ft (N-m) 724 (982) @ 1400 RPM
 Net (per SAE J1349), lb-ft (N-m) 701 (950) @ 1300 RPM

Boosted

Gross (per SAE J1995), lb-ft (N-m) 739 (1002) @ 1400 RPM
 Net (per SAE J1349), lb-ft (N-m) 712 (966) @ 1400 RPM

Economy

Gross (per SAE J1995), lb-ft (N-m) 712 (966) @ 1200 RPM
 Net (per SAE J1349), lb-ft (N-m) 693 (940) @ 1200 RPM

Governor

Electronic control

Torque rise

33%

Fuel injection

Direct injection, diesel

Fuel filter

Full-flow spin-on cartridge

Lube system

Full-flow spin-on cartridge w/ integral cooler

Aspiration

Turbocharged, air to air cooled

Air cleaner

Dry type elements w/ warning restriction indicator

Advanced cooling system

Independent mounted coolers, mid-mounted

Fan, in (mm)

Hydraulically driven suction fan, 28 (711) diameter, purge feature optional

Radiator

5 rows, 9 fins/in.

TRANSMISSION

Type Countershaft, power shift
 Torque Converter Single-phase, single stage, 2.81:1 stall ratio
 Shift Control System Electronic control module, torque sensing, manual or automatic shifting
 Control Location Steering column-mounted twist-grip shift lever, auxiliary controls on loader joystick

Travel speeds w/ 23.5 X 25 L3 tires

	Forward	Reverse
Gear 1, mph (km/h).....	4.4 (7.1)	4.9 (7.9)
Gear 2, mph (km/h).....	7.8 (12.6)	8.6 (13.8)
Gear 3, mph (km/h).....	14.5 (23.3)	15.7 (25.3)
Gear 4, mph (km/h).....	23.0 (37.0)	

AXLES/BRAKES

Differentials Limited slip, front and rear
 Final Drives Heavy-duty outboard planetary reduction
 Rear axle oscillation, in (mm) 24 degrees total, 15.2 (386) maximum vertical travel at wheel

Brakes

Service Brakes Outboard, hydraulically actuated, maintenance-free, multiple wet disc with accumulator, acting on all four wheels. Complies with ISO 3450
 Parking Brake Spring applied, hydraulically released, acting on transmission output shaft

SERVICE CAPACITIES

Fuel tank, gal (l).....	76 (288)
Engine oil, qt (l).....	13 (12.3)
Engine oil / filter, qt (l).....	14 (13.25)
Transmission w/ filter, gal (l).....	36 (34.1)
Cooling system, qt (l).....	10 (38)
Hydraulic reservoir, gal (l).....	24 (90.8)
Hydraulic system, gal (l).....	47 (178)
Axles (total), each, qt (l)	
Front.....	39.5 (37.4)
Rear.....	25 (23.7)

ELECTRICAL

Electrical System 24 volt, negative ground w/ 70 amp alternator
 Batteries (two 12 volt) 700 CCA; 170 Ah

HYDRAULIC CYLINDERS

Lift cylinders, bore x stroke x rod, in (mm).....	5.25 (133.4) x 33.3 (845.7) x 3.00 (76.2)
Dump cylinder, bore x stroke x rod, in (mm).....	6.50 (165.1) x 23.61 (599.6) x 3.50 (88.9)
Steering cylinders, bore x stroke x rod, in (mm).....	3.25 (82.6) x 18.97 (481.9) x 1.75 (44.5)

HYDRAULIC SYSTEMS/STEERING

Pump (steering/implement).....Variable Displacement, piston pump	Raise-loaded, sec	5.64
Maximum flow, gpm (l/m)..... 31.6 (120) @ 2000 RPM @ 3,600 psi (24,822 kPa)	Dump-loaded	1.16
Pressure, psi (kPa)..... Loader relief: 3,625 (25,000); steering relief: 3,500 (24,132)	Lower-empty, power down	2.76
Valves.....Closed-center, load sensing; positive low pressure regeneration for bucket dump	Lower-empty, float down	2.17
Loader Controls	Steering	
Standard two-function valve; single-or dual lever controls, optional third-function valve; with auxiliary lever, pilot operated controls with electromagnetic detents for float, raise, and bucket rollback; control lockout	Type	Hydraulic orbital, load sensing, 40 degree center pivot articulation
	Filtration	10-micron, full flow cartridge filter on return line

PERFORMANCE DATA: PIN ON BUCKETS (see diagram previous page)

KEY	Bucket Type/Size									
	General Purpose w/ Bolt-on Edge		General Purpose w/ Teeth and Segments		Medium Density w/ Bolt-on Edge		Medium Density w/ Teeth and Segments		Light Material w/ Bolt-on Edge	
Capacity, heaped (SAE), cu yd (m ³)	3.44	(2.63)	3.44	(2.63)	4.15	(3.17)	4.15	(3.17)	4.43	(3.39)
Capacity, struck (SAE), cu yd (m ³)	2.90	(2.22)	2.90	(2.22)	3.54	(2.71)	3.54	(2.71)	3.78	(2.89)
Bucket width, in (mm)	115.3	(2929)	120.0	(3049)	115.3	(2929)	120.0	(3049)	115.3	(2929)
Bucket weight, lb (kg)	3,107	(1410)	3,225	(1463)	3,442	(1561)	3,560	(1615)	3,508	(1591)
Breakout force, lb (kg)	41,369	(18,765)	36,897	(16,736)	35,962	(16,312)	32,479	(14,732)	34,956	(15,856)
Tipping load, straight, lb (kg)	25,486	(11,560)	25,338	(11,493)	24,996	(11,338)	24,844	(11,269)	24,783	(11,241)
Tipping load @ 40 degree full turn, lb (kg)	21,868	(9919)	21,721	(9852)	21,396	(9705)	21,244	(9636)	21,203	(9617)
I. Dump clearance,										
45° dump angle-full height, in (mm)	138.9	(3527)	135.5	(3441)	134.8	(3425)	131.4	(3338)	134.0	(3402)
J. Reach, 45° dump angle, full height, in (mm)	43.2	(1097)	47.3	(1200)	48.0	(1219)	52.1	(1323)	49.0	(1246)
Reach, 45° dump angle, 7-ft. (2.13 m) height, in (mm)	80.9	(2055)	83.7	(2126)	84.2	(2139)	86.9	(2206)	84.9	(2156)
K. Overall height, bucket @ full height, in (mm)	227.5	(5777)	227.5	(5777)	233.7	(5937)	233.7	(5937)	235.1	(5971)
L. Hinge pin height, fully raised, in (mm)	179.7	(4564)	179.7	(4564)	179.7	(4564)	179.7	(4564)	179.7	(4564)
M. Overall length, bucket on ground, in (mm)	322.3	(8186)	327.6	(8320)	328.6	(8345)	333.9	(8480)	329.9	(8380)
N. Clearance circle, bucket @ carry, in (mm)	534.6	(13,579)	542.3	(13,776)	538.8	(13,686)	546.7	(13,885)	539.8	(13,710)
Hydraulic lifting capacity @ full height, lb (kg)	18,964	(8602)	18,845	(8548)	18,627	(8449)	18,507	(8395)	18,558	(8418)
Hydraulic lifting capacity @ max. reach, lb (kg)	23,302	(10,570)	23,180	(10,514)	22,945	(10,408)	22,821	(10,352)	22,858	(10,368)
Hydraulic lifting capacity @ ground level, lb (kg)	27,081	(12,284)	26,947	(12,223)	26,570	(25,434)	26,434	(11,990)	25,334	(11,945)
Max. dump angle @ full height	49°		49°		49°		49°		49°	
Max.rollback @ full height	60°		60°		60°		60°		60°	
Max.rollback @ max reach	53°		53°		53°		53°		53°	
O. Max. rollback @ carry	43°		43°		43°		43°		43°	
Max.rollback @ ground	37°		37°		37°		37°		37°	
P. Digging depth, in (mm)	5.6	(142)	5.6	(142)	5.6	(142)	5.6	(142)	5.6	(142)
Operating weight, lb (kg)	39,045	(17,710)	39,162	(17,764)	39,379	(17,862)	39,497	(17,916)	39,445	(17,892)

PERFORMANCE DATA: COUPLER BUCKETS (see diagram previous page)

KEY	Bucket Type/Size							
	NH Coupler & General Purpose w/ Bolt-on Edge		General Purpose w/ Teeth & Segments		ACS Coupler & General Purpose w/ Bolt-on Edge		ACS Coupler & General Purpose w/ Teeth & Segments	
Capacity, heaped (SAE), cu yd (m ³)	3.44	(2.63)	3.44	(2.63)	3.77	(2.88)	3.77	(2.88)
Capacity, struck (SAE), cu yd (m ³)	2.88	(2.20)	2.88	(2.20)	3.17	(2.42)	3.17	(2.42)
Bucket width, in (mm)	119.3	(3030)	120.6	(3063)	119.3	(3030)	120.0	(3048)
Bucket weight w/coupler, lb (kg)	4,221	(1915)	4,425	(2007)	4,338	(1968)	4,514	(2047)
Breakout force, lb (kg)	33,440	(15,168)	35,131	(15,935)	35,332	(16,026)	31,676	(14,368)
Tipping load, straight, lb (kg)	23,120	(10,487)	22,881	(10,378)	23,651	(10,728)	23,429	(10,627)
Tipping load @ 40 degree full turn, lb (kg)	19,686	(8929)	19,447	(8821)	20,131	(9131)	19,908	(9030)
I. Dump clearance,								
45° dump angle-full height, in (mm)	132.7	(3370)	128.7	(3268)	134.6	(3418)	130.7	(3319)
J. Reach, 45° dump angle, full height, in (mm)	50.6	(1284)	55.3	(1403)	48.4	(1230)	52.5	(1334)
Reach, 45° dump angle, 7-ft. (2.13 m) height, in (mm)	85.9	(2181)	88.8	(2256)	84.5	(2147)	87.0	(2210)
K. Overall height, bucket @ full height, in (mm)	233.2	(5923)	233.2	(5923)	232.1	(5895)	232.1	(5895)
L. Hinge pin height, fully raised, in (mm)	179.6	(4563)	179.6	(4563)	179.7	(4563)	179.7	(4563)
M. Overall length, bucket on ground, in (mm)	331.9	(8430)	338.1	(8587)	329.0	(8356)	334.8	(8505)
N. Clearance circle, bucket @ carry, in (mm)	544.6	(13,834)	550.1	(13,973)	542.6	(13,782)	547.3	(13,902)
Hydraulic lifting capacity @ full height, lb (kg)	17,816	(8081)	17,610	(7988)	17,720	(8038)	17,543	(7957)
Hydraulic lifting capacity @ max. reach, lb (kg)	21,995	(9977)	21,785	(9882)	21,985	(9972)	21,801	(9889)
Hydraulic lifting capacity @ ground level, lb (kg)	24,987	(11,334)	24,767	(11,234)	25,340	(11,494)	25,148	(11,407)
Max. dump angle @ full height	49°		49°		49°		49°	
Max.rollback @ full height	60°		60°		60°		60°	
Max.rollback @ max reach	53°		53°		53°		53°	
O. Max. rollback @ carry	43°		43°		43°		43°	
Max.rollback @ ground	37°		37°		37°		38°	
P. Digging depth, in (mm)	5.6	(142)	5.7	(144)	5.5	(140)	5.9	(149)
Operating weight, lb (kg)	40,158	(18,215)	40,362	(18,308)	40,275	(18,269)	40,451	(18,348)

W170B W170B TC W170B LR

Base & Optional Equipment

BASE EQUIPMENT

ENGINE

FPT 667TA/EB3 6-cylinder turbo diesel
EPA off-road certified, Tier III
Displacement: 411 cu in (6.7 l)
Horsepower (kilowatts):
Gross 181 hp (135 kW) @ 2000 rpm rated
Boost - 195 hp (145 kW) peak
Net 169 hp (127 kW) @ 2000 rpm rated
Boost - 183 hp (137 kW) peak
Air-to-air after cooler
Anti-freeze solution -34° F (-37° C)
Fuel Tank: 65 gal U.S. (246 l)
Fuel Tank: 65 gal U.S. (246 l)
Hydraulically driven suction fan with guard
Electronic fuel injector
Advanced cooling system
Selectable power mode

DRIVE TRAIN

AXLES & TIRES:

Limited slip differentials - front and rear
Maintenance free driveshafts and axle dipsticks
20.5 x 25 12 PR L2 bias ply tires,
3 piece rims

TRANSMISSION

Speeds: 4F - 3R
Computer controlled, full-power, proportional shifting
Single lever electronic shift control
FNR shuttle shift
Programmable gear selection
Selectable fully-automatic and manual modes
Electronic transmission disconnect
On-board diagnostics with fault code storage and retrieval
Single, vertically mounted, spin-on oil filter
Oil cooler

HYDRAULICS

Pilot-operated joystick control
2-spool valve
Pressure compensated, load sensing hydraulics
Two vertically mounted, spin-on oil filters
Hydraulic diagnostic quick couplers
O-ring face seal hydraulic fittings
Full-flow oil cooler
Cushioned steering cylinders
Standard hydraulic steering system

LOADER SYSTEM

Automatic return-to-dig, automatic height control, and automatic return-to-travel
Position indicator on bucket
Single lever / two spool loader control
Z-bar loader linkage (W170B)
Parallel loader linkage (W170B TC)
Long reach loader arms (W170B LR)
Single piece, flame cut, loader arms (W170B, W170B LR)
Ground level lubrication points

BRAKES

4-wheel, outboard mounted, wet disc hydraulic brakes
Parking brake; spring applied hydraulic release
Separate front and rear brake systems

ELECTRICAL SYSTEM

24-volt system
Two heavy duty 12V 700 cold cranking amp (CCA) batteries
Halogen lights:
2 front and 2 rear worklights
2 front driving (hi/lo beam)
Stop/tail lights and backup lights
Front and rear turn signals and flashers
Alternator: 70 amp
Electrical disconnect switch
Horn
Backup alarm

OPERATOR STATION

ROPS cab with heater and air conditioning
Inside rearview mirror
Cloth mechanical suspension seat, with 2 in. (51 mm) seatbelt
Storage tray, cup holder
Tilt steering wheel with integral steering knob
Fully adjustable wrist rest
Cigar/cigarette lighter-24 volt
Wiring & speaker covers, for radio installation
Multi-function display panel

INSTRUMENTS

Individual gauges for:
1. Engine coolant temp.
2. Fuel level
3. Hour meter
4. Speedometer
5. Trans. oil temp.
Indicator Lights for:
1. Air filter restriction
2. Battery charge
3. Brake oil pressure
4. Emergency steering (if equipped)
5. Engine coolant temp.
6. Engine oil pressure
7. Fuel level
8. General alarm
9. High beam
10. Parking break
11. Trans. oil temp.
12. Trans. speed
13. Turn signals

OTHER EQUIPMENT

Articulation and loader lift arm locking bars
Drawbar hitch
Front and rear fenders, left side steps
Remote drain points
Front and rear lift and tie down points

OPTIONAL EQUIPMENT

OPERATOR STATION

ROPS canopy with vinyl suspension seat with 2 in. seat belt
ROPS canopy with vinyl suspension seat with 3 in. seat belt
Mechanical suspension seat, cloth covered with 3 in. seat belt
Air suspension seat, cloth covered with 2 in. seat belt
Air suspension seat, cloth covered with 3 in. seat belt
Fire extinguisher
Amber rotating beacon
AM/FM stereo radio 12V (includes radio ready accessories)
Radio ready 12V

ENGINE

Cold weather package
Cooling system with hydraulic cooler & reversing fan

HYDRAULICS

Valve, 2 spool, 2 lever
Valve, 3 spool, 3 lever
Valve, 3 spool, joystick, 1 lever
Load Travel Stabilizer System (LTS)
Standard steering with secondary electric steering

AXLES & TIRES

20.5 R25 L2 traction tread, radial,
3 piece rim
20.5 x 25 L3 rock tread, bias ply,
3 piece rim
20.5 R25 L3 rock tread, radial,
3 piece rim

BUCKET & ATTACHMENTS (W170B & W170B LR)

Pin-on buckets
(see charts on page 11 & 15)
Quick coupler
(see charts on page 11 & 15)
Quick coupler buckets
(see charts on page 11 & 15)

BUCKET & ATTACHMENTS (W170B TC)

Quick coupler
(see chart on page 13)
Quick coupler buckets
(see chart on page 13)

OTHER EQUIPMENT

Standard fenders with LH and RH steps
Wide full coverage fenders with LH & RH steps
Heavy counterweight (1,119 lbs.)
Brake, right hand
Rear frame articulation joint side covers (transmission guards)
Tool box
Transmission bottom guard (belly pan)
Axle stops for 20.5 Tires with chains
Pre-cleaner, full-view

W190B W190B LR

Base & Optional Equipment

BASE EQUIPMENT

ENGINE

FPT 667TA/EBD 6-cylinder turbo diesel
 EPA off-road certified, Tier III
 Displacement: 411 cu in (6.8 l)
 Horsepower (kilowatts):
 Gross 210 hp (157 kW) @ 2000 rpm rated
 Boost - 227 hp (169 kW) peak
 Net 198 hp (148 kW) @ 2000 rpm rated
 Boost - 213 hp (159 kW) peak
 Air-to-Air after cooler
 Anti-freeze solution -34°F (-37°C)
 Fuel tank: 76 gal U.S. (288 l)
 Air cleaner - 2 stage with radial seal elements
 Hydraulically driven suction fan with guard
 Electronic fuel injector
 Advanced Cooling System (ACS)
 Selectable power mode

DRIVE TRAIN

AXLES & TIRES

Limited slip differentials - front and rear
 Maintenance free driveshafts and axle dipsticks
 23.5 x 25 L2 bias ply tires, 3-piece rims

TRANSMISSION

Speeds: 4F-3R
 Computer controlled, full-power, proportional shifting
 Single lever electronic shift control
 FNR shuttle shift
 Programmable gear selection
 Selectable fully-automatic and manual modes
 Electronic transmission disconnect
 On-board diagnostics with fault code storage and retrieval
 Single, vertically mounted, spin-on oil filter
 Oil cooler

HYDRAULICS

Pilot-operated joystick control
 2-spool valve
 Pressure compensated, load sensing hydraulics
 Two vertically mounted, spin-on oil filters
 Hydraulic diagnostic quick couplers
 O-ring face seal hydraulic fittings
 Full-flow oil cooler
 Cushioned steering cylinders
 Standard hydraulic steering system

LOADER SYSTEM

Automatic return-to-dig, automatic height control, and automatic return-to-travel
 Position indicator on bucket
 Single lever / two spool loader control
 Z-bar loader linkage (W190B)
 Long reach loader arms (W190B LR)
 Single piece, flame cut, loader arms
 Ground level lubrication points

BRAKES

4-Wheel, outboard mounted, wet disc hydraulic brakes
 Parking brake, spring applied hydraulic release
 Separate front and rear brake systems

ELECTRICAL SYSTEM

24-volt system
 Two Heavy Duty 12V 700 cold cranking amp (CCA) batteries
 Halogen lights:
 2 front and 2 rear worklights
 2 front driving (hi/lo beam)
 Stop/tail lights and backup lights
 Front and rear turn signals and flashers
 Alternator: 65 amp
 Electrical disconnect switch
 Horn
 Backup alarm

OPERATOR STATION

ROPS cab with heater and air conditioning
 Inside rearview mirror
 Cloth mechanical suspension seat, with 2 in. (51 mm) seatbelt
 Storage tray, cup holder
 Tilt steering wheel with integral steering knob
 Fully adjustable wrist rest
 Cigar/cigarette lighter-24 volt
 Wiring & speaker covers for radio installation
 Multi-function display panel

INSTRUMENTS

Individual gauges for:
 1. Engine coolant temp.
 2. Fuel level
 3. Hour meter
 4. Speedometer
 5. Trans. oil temp.
 Indicator Lights for:
 1. Air filter restriction
 2. Battery charge
 3. Brake oil pressure
 4. Emergency steering (if equipped)
 5. Engine coolant temp.
 6. Engine oil pressure
 7. Fuel level
 8. General alarm
 9. High beam
 10. Parking break
 11. Trans. oil temp.
 12. Trans. speed
 13. Turn signals

OTHER EQUIPMENT

Articulation and loader lift arm locking bars
 Drawbar hitch
 Front and rear fenders, left side steps
 Remote drain points
 Front and rear lift and tie down points

OPTIONAL EQUIPMENT

OPERATOR STATION

ROPS canopy with vinyl suspension seat with 2 in. seat belt
 ROPS canopy with vinyl suspension seat with 3 in. seat belt
 Mechanical suspension seat, cloth covered with 2 in. seat belt
 Air suspension seat, cloth covered with 2 in. seat belt
 Air suspension seat, cloth covered with 3 in. seat belt
 Fire extinguisher
 Amber rotating beacon
 AM/FM stereo radio 12V includes radio ready accessories)
 Radio ready 12V

ENGINE

Cold weather package
 Cooling system with hydraulic cooler & reversing fan

HYDRAULICS

Valve, 2 spool, 2 lever
 Valve, 3 spool, 3 lever
 Valve, 3 spool, joystick, 1 lever
 Load Travel Stabilizer System (LTS)
 Standard steering with secondary electric steering

AXLES & TIRES

23.5 R25 L2 traction tread, radial, 3 piece rim
 23.5 x 25 L3 rock tread, bias ply, 3 piece rim
 23.5 R25 L3 rock tread, radial, 3 piece rim

BUCKET & ATTACHMENTS

Pin-on buckets
 (see charts on page 17 & 19)
 Quick coupler
 (see charts on page 17 & 19)
 Quick coupler buckets
 (see charts on page 17 & 19)

OTHER EQUIPMENT

Standard fenders with LH and RH steps
 Wide full coverage fenders with LH & RH steps
 Heavy counterweight (adds 1,225 lbs.)
 Break, right hand
 Rear frame articulation joint side covers (transmission guards)
 Tool box
 Transmission bottom guard (belly pan)
 Full-view air pre-cleaner
 Axle stops for 23.5 Tires with chains

WHEEL LOADERS

W170B

Horsepower: Net 183 hp (137 kW)

Operating weight: 31,000 lbs (14,107 kg) with 3.0 yd³ pin-on excavating bucket with bolt-on edge

Bucket capacity: 3.0 cu ft (2.3 m³)

W170B TC

Horsepower: Net 183 hp (137 kW)

Operating weight: 31,100 lbs (14,107 kg) with 3.02 yd³ pin-on excavating bucket with bolt-on edge

Bucket capacity: 3.0 cu ft (2.3 m³)

W170B LR

Horsepower: Net 183 hp (137 kW)

Operating weight: 31,100 lbs (14,107 kg) with 3.0 yd³ pin-on excavating bucket with bolt-on edge

Bucket capacity: 3.0 cu ft (2.3 m³)

W190B

Horsepower: Net 213 hp (159 kW)

Operating weight: 37,844 lbs (17,166 kg) with 3.44 yd³ pin-on excavating bucket with bolt-on edge

Bucket capacity: 3.44 cu ft (2.63 m³)

W190B LR

Horsepower: Net 213 hp (159 kW)

Operating weight: 39,045 lbs (17,710 kg) with 3.44 yd³ pin-on excavating bucket with bolt-on edge

Bucket capacity: 3.44 cu ft (2.63 m³)

World Class Products Demand World Class Dealers

The purchase of a New Holland Construction machine is just the beginning of our relationship together. Consider your experienced New Holland Construction Equipment dealer as your local partner in productivity. Assistance in selecting the right model for your operation and developing an affordable leasing or financing plan through CNH Capital are just a few advantages your local dealer can provide.

Your New Holland Construction dealer's full service capabilities bring you responsive support with genuine New Holland parts and all makes coverage. More importantly, we are there wherever and whenever you need us with our fully equipped service vehicles. From customized maintenance programs to professional operator and technical training, our factory-trained service and parts experts are there to assist you with any of your equipment support needs.

Your business deserves nothing less than world class product, supported by a world class business partner. That's your New Holland Construction Equipment dealer—your partner in productivity.



New Holland Construction Equipment is backed with a **1-Year/Unlimited Hour Standard Warranty**.

Use our dealer locator at www.newholland.com to find the dealer nearest you.



New Holland Construction
245 E. North Avenue
Carol Stream, IL 60188-2021
866-726-3396 Toll Free
630-260-4000
630-260-4304 Fax

FIAT
GROUP

Design, materials and/or specifications are subject to change without notice and without liability therefor. Specifications are applicable to units sold in Canada, the United States, its territories and possessions, and may vary outside these areas.

© 2008 CNH America LLC. All rights reserved. New Holland is a trademark of CNH America LLC. Any trademarks referred to herein, in association with goods and/or services of companies other than CNH America LLC, are the property of those respective companies.



Safety begins with a thorough understanding of the equipment. Always make sure you and your operators read the Operator's Manual before using the equipment. Pay close attention to all safety and operating decals and never operate machinery without all shields, protective devices and structures in place.

STOCK #NHC10140801 • 100806 • MG • PRINTED IN U.S.A.

www.newholland.com

